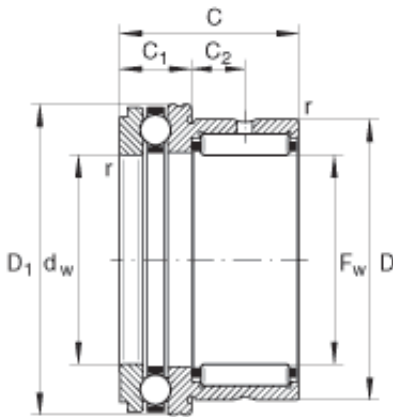




Fabricación de cojinetes de Tailandi...



NKX60 Bearing 2D drawings and 3D CAD models

INA NKX60 Cojinetes Complejos

Bearing No. NKX60

Size	60x72x40 mm
Bore Diameter	60 mm
Outer Diameter	72 mm
Width	40 mm
F_w	60 mm
D	72 mm
C - 40 mm / Tolerance: -0,25	40 mm / Tolerance: 0,25
C_1 - 17 mm / Tolerance: -0,2	17 mm / Tolerance: 0,2
C_2	12 mm
$D_{1 \max}$	85,2 mm
d_a	80,5 mm
d_w	60 mm / Tolerance: E8
$r_{a \max}$	1 mm
r_{\min}	1 mm
	NAXK60 / Designation to DIN 5429
m	360 g / Weight
C_r	47500 N / Dynamic load rating (radial)
C_{0r}	90000 N / Static load rating (radial)
C_a	41500 N / Dynamic load rating (axial)
C_{0a}	113000 N / Static load rating (axial)



Fabricación de cojinetes de Tailandi...

C _{ur}	15400 N / Fatigue limit load, radial
C _{ua}	5400 N / Fatigue limit load, axial
n _G	2800 1/min / Limiting speed
	IR50X60X25 / Suitable inner ring
Category	Thrust Roller Bearing
Inventory	0.0
Manufacturer Name	SCHAEFFLER GROUP
Minimum Buy Quantity	N/A
Weight / Kilogram	0.36
EAN	4012802060331
Product Group	B04144
Rolling Element	Combination - Needle Roller and Thrust Ball Bearing
Self Aligning	No
Component Description	Roller Assembly plus Raceways
Thrust Bearing	Yes
Single or Double Direction	Single Direction
Banded	No
Cage Material	Steel
Precision Class	ABEC 1 ISO P0
Long Description	60MM Bore 1; 60MM Bore 2; 72MM Outside Diameter; 40MM Height; Combination - Needle Roller and Thrust Ball Bearing; Single Direction; Not Self Aligning; Not Banded; Steel Cage; ABEC 1 ISO P0; Roller
Inch - Metric	Metric
Category	Thrust Roller Bearings



Fabricación de cojinetes de Tailandi...

UNSPSC	31171537
Harmonized Tariff Code	8482.80.00.40
Noun	Bearing
Keyword String	Combination
Manufacturer URL	http://www.ina.com
Manufacturer Item Number	NKX60
Weight / LBS	0.794
Height	1.575 Inch 40 Millimeter
Bore 1	2.362 Inch 60 Millimeter
Bore 2	2.362 Inch 60 Millimeter
Outside Diameter	2.835 Inch 72 Millimeter
Overall Height with Aligning Washer	0 Inch 0 Millimeter